

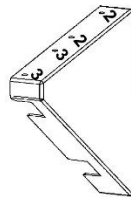
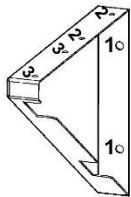
Uhome mounting

Uhome Wall mounting brackets are strong discreet brackets for mounting up to 2 Uhome 3U batteries against a wall. This tidy solution requires a strong wall to fix to.

When connecting more than 2 batteries together using the Wall Mounting brackets then the battery to battery cables will be necessary to join the power supply from the sets of batteries.

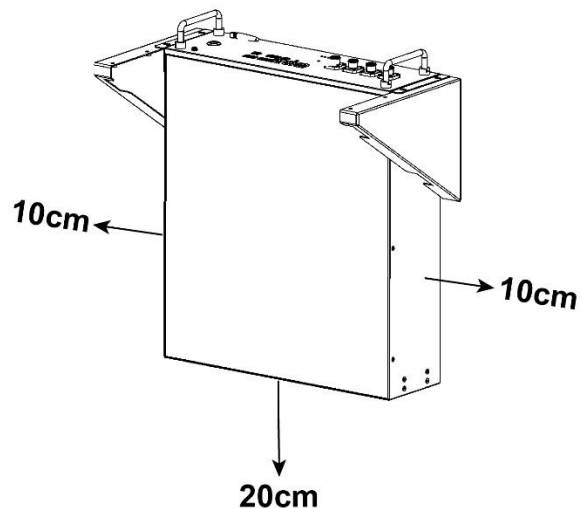
Installation Guidance

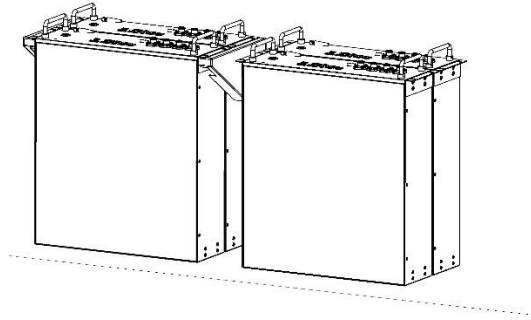
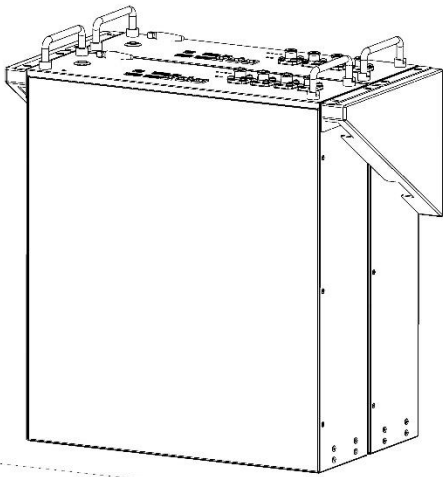
- I. Determine bracket's position with the cardboard;
- II. M8 holes on the wall, the depth at least 50mm;
- III. Fix the brackets with M8 expansion screws;
- IV. Fix battery on brackets with M6 screws at Position 2 or 3.



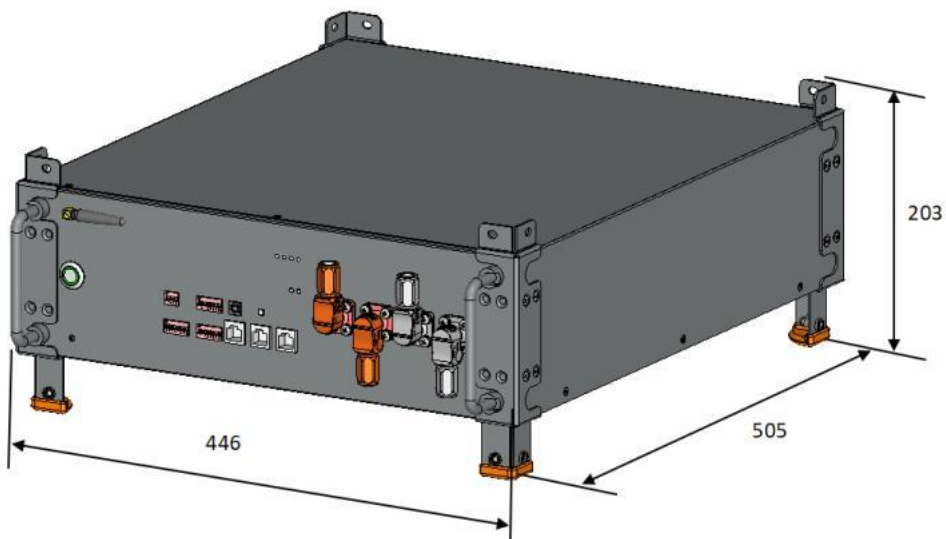
Index

- I. For brackets: M8 screw anchor x 4
- II. For 1 or 2 Battery: M6 screw x 4
- III. Bracket x 2 and cardboard are attached in package carton box;
- IV. A drilling tool, screw driver and pencil are needed.

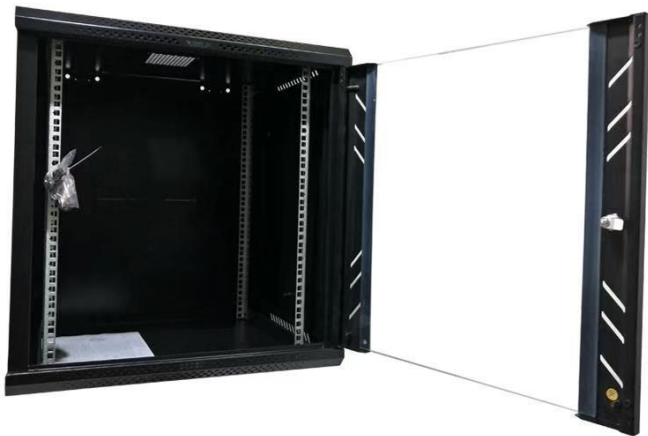




Uhome Stacking brackets are a simple and secure solution for stacking batteries. Up to 8 units can be mounted in a stack. This ensures there is no build-up of weight to the bottom battery, and allows good airflow between the batteries.



4 Battery server cabinets are a great and stylish way to mount up to 4 batteries safely and securely. The units have fixed or wheeled feet, and enough internal shelves to allow good spacing between each battery.



6 Battery server cabinets are a great and stylish way to mount up to 6 batteries safely and securely. The units have fixed or wheeled feet, and enough internal shelves to allow good spacing

