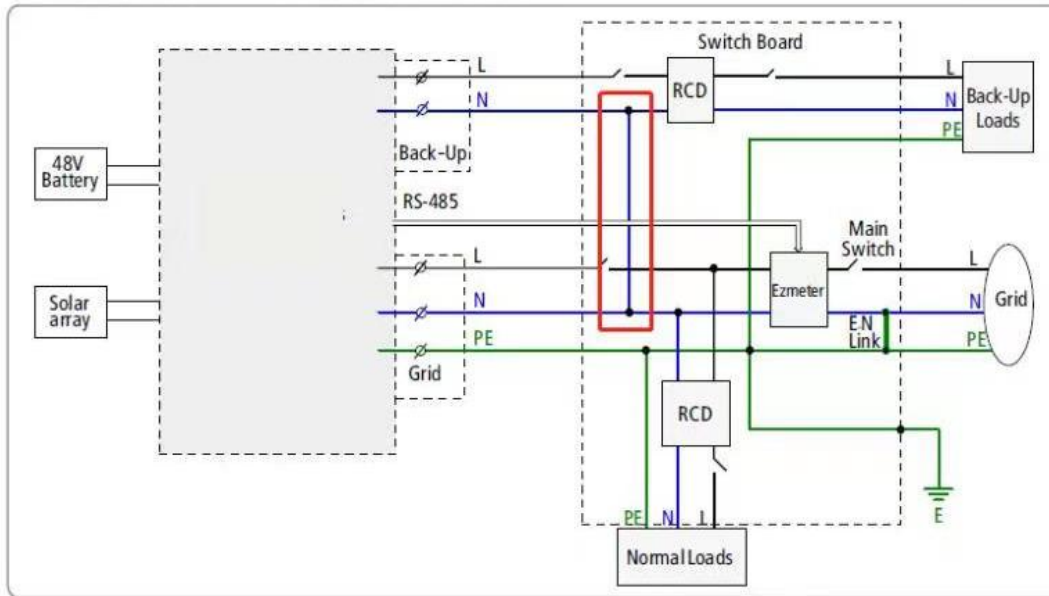


There are two solutions to make sure the Neutral and Earth are at same voltage level while the grid power is out .

Solution 1: Parallel the Grid Neutral and EPS Neutral



Solution 2: Earth the EPS Neutral line.

