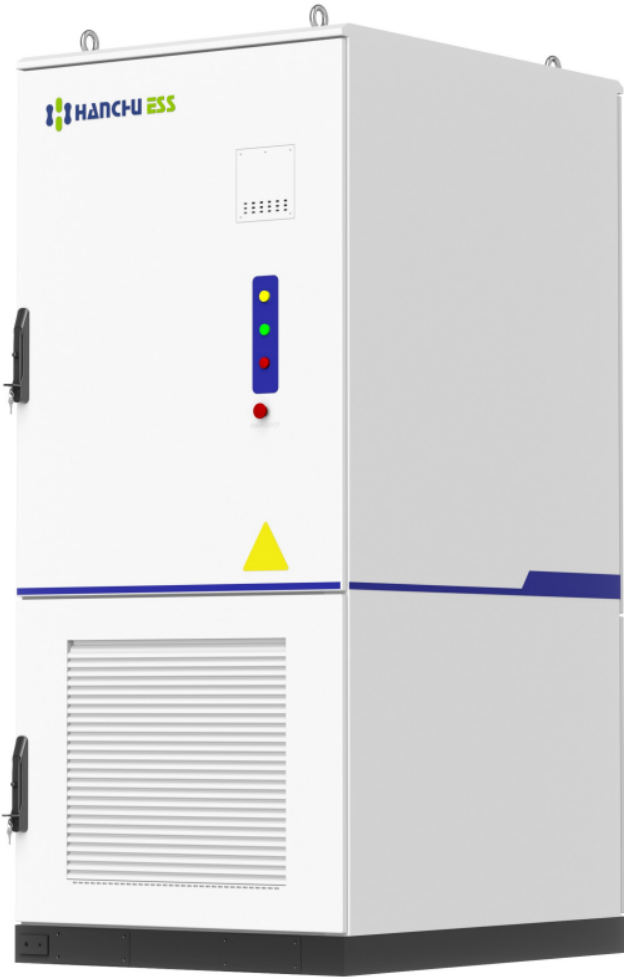
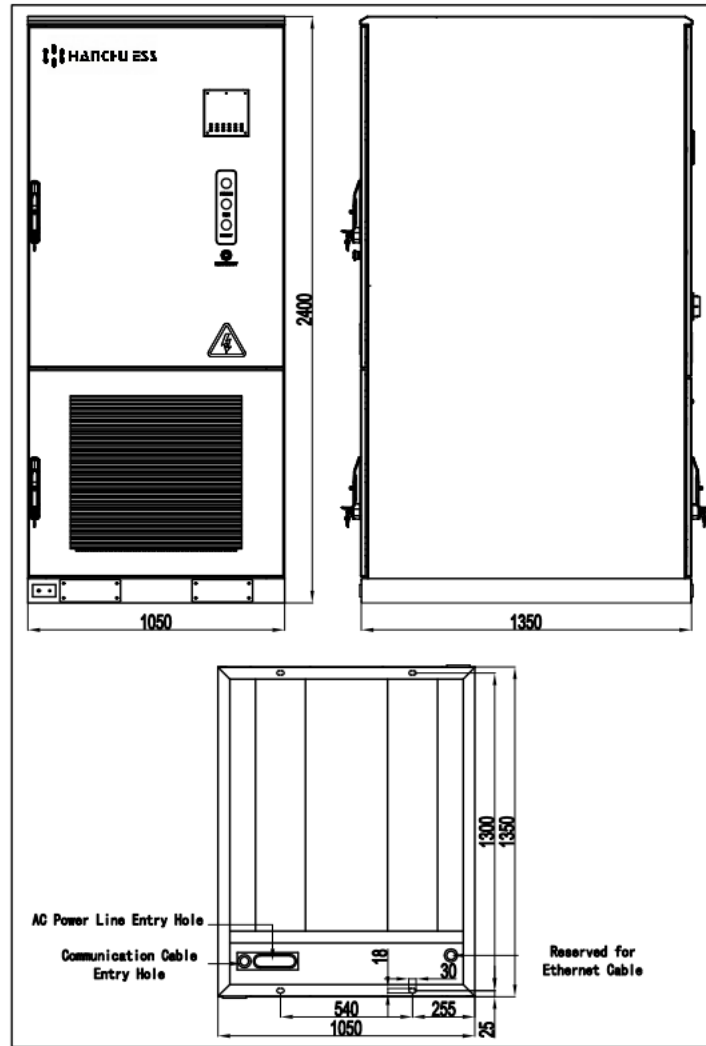




CESS-125K261LL Quick Installation Guide



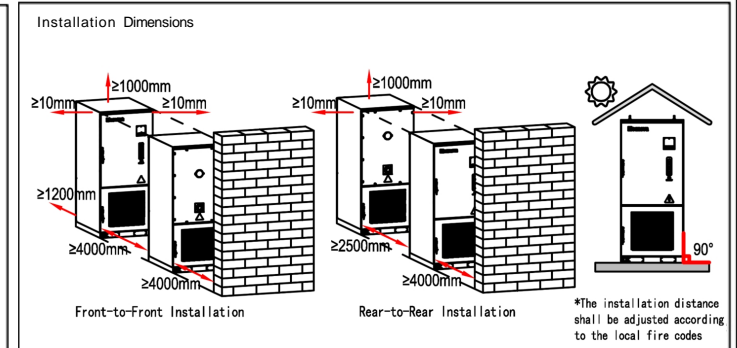
1.External Dimensions



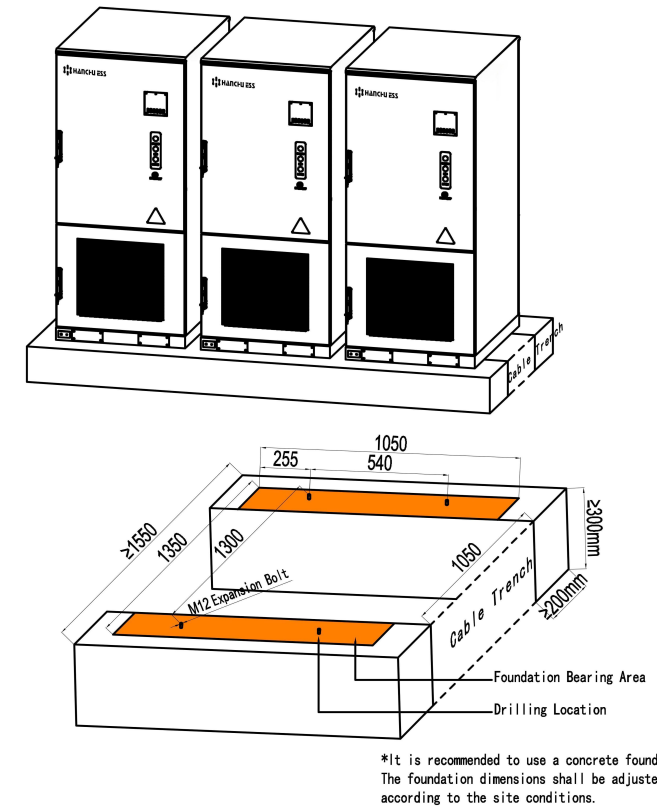
2.Packing List



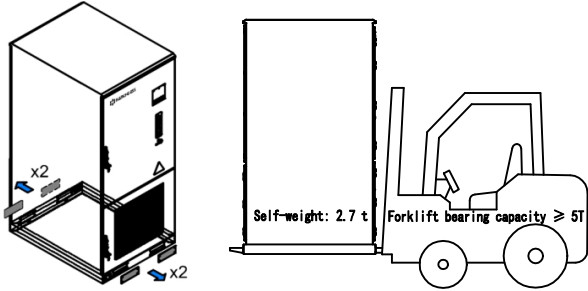
3.Transportation and Installation



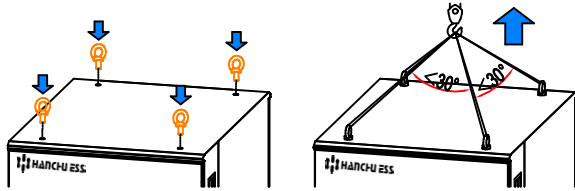
Base Dimensions



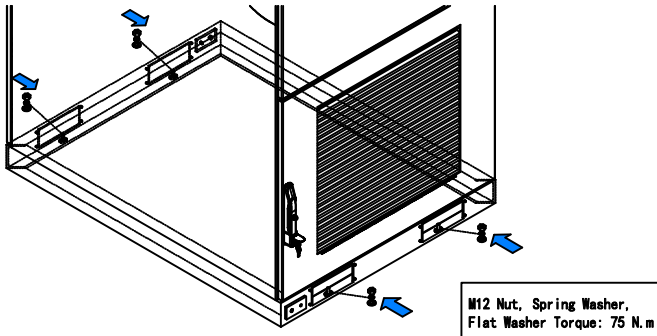
Forklift Handling



Crane Lifting

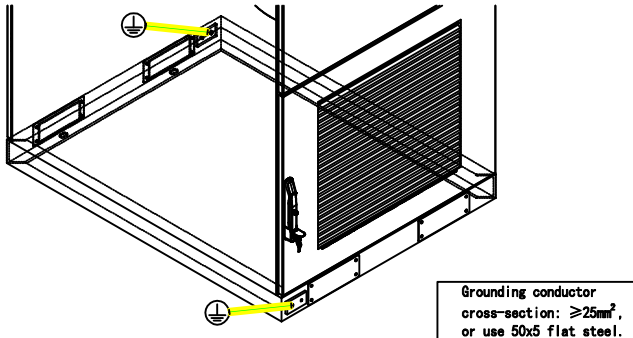


cabinet anchoring

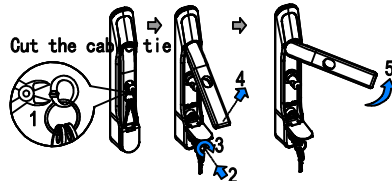


4.Electrical Connection

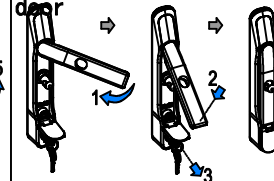
Cabinet Grounding



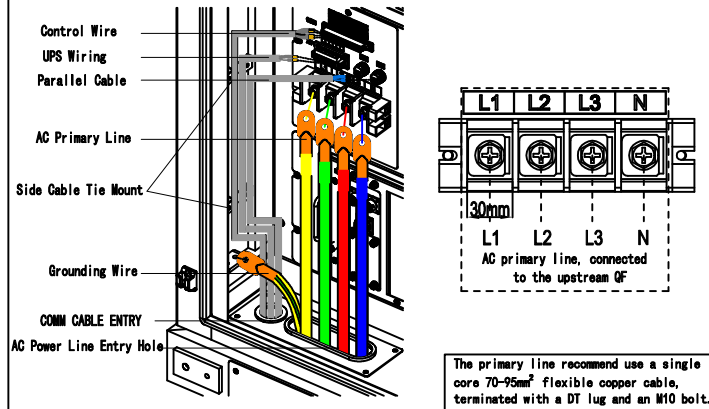
Open the cabinet door



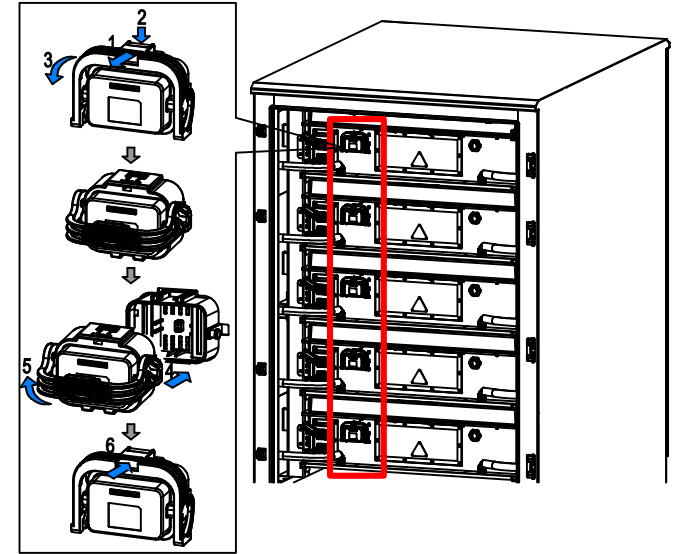
Close the cabinet door



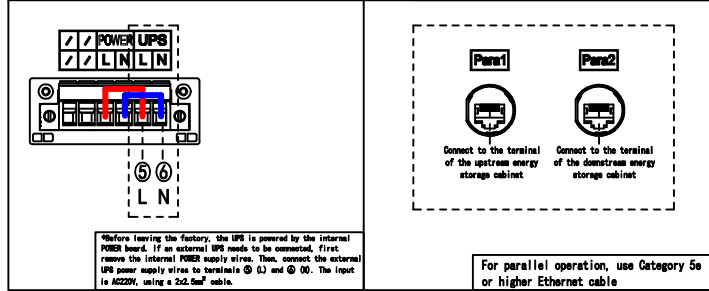
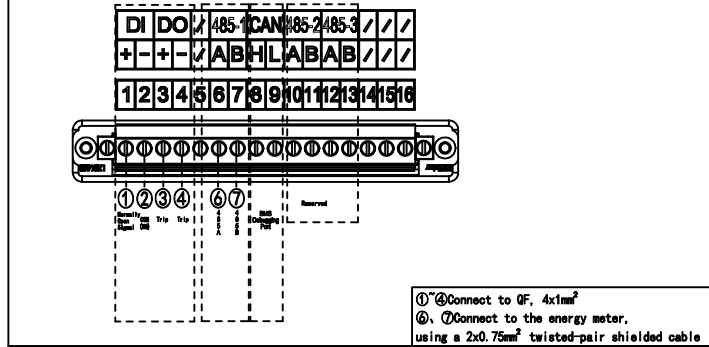
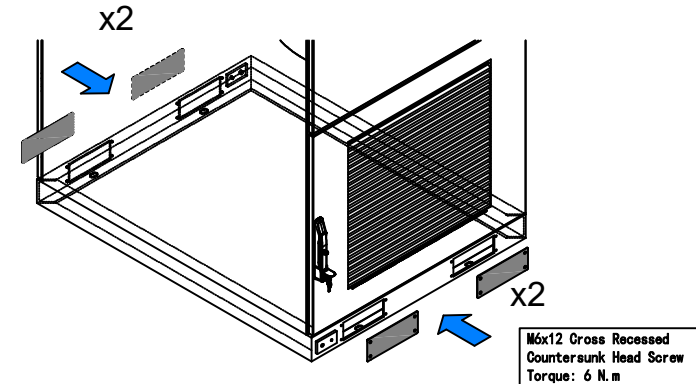
Wiring



Install the MSD

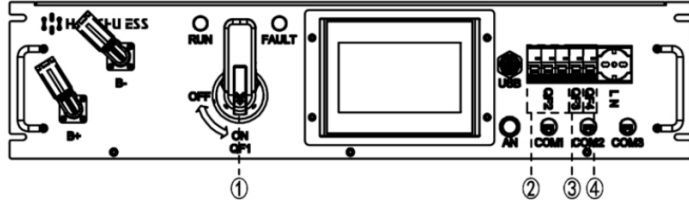


Install the Baffle Plate



5.Commissioning

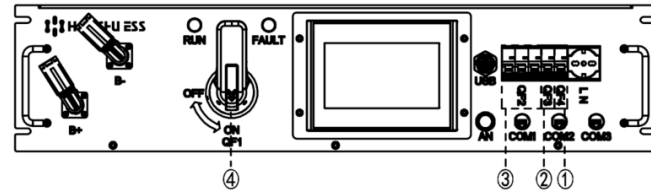
Power-up Sequence



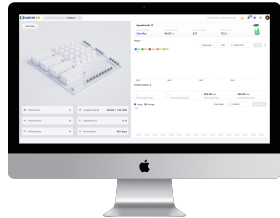
*Before initial power-up, ensure that the surge protector circuit breaker QF5 at the rear of the cabinet is in the CLOSED position.

- ① Close QF1: The battery pack (PACK) main positive and negative contacts close.
- ② Close QF2: The system is powered on.
- ③ Close QF3: The chiller unit is powered on and enters self-test and start-up mode.
- ④ Close QF4: The high-voltage box is powered on, and the cabinet power indicator lights up.

Power-Down Sequence



- ① Open QF2: The system is de-energized.
- ① Open QF3: The chiller unit is de-energized.
- ① Open QF4: The high-voltage box is de-energized, and the cabinet power indicator turns off.
- ① Open QF1: The battery pack (PACK) main positive and negative contacts open.



ESS EMS CLOUD: <https://hanchu261k.ems-ess.com>